

Mounting bracket PL-PDM

Ref. 24041



- Aesthetic surface

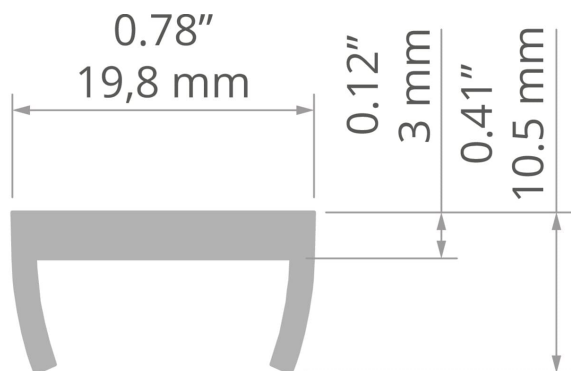
APPLICATION

- for mounting LED lighting fixtures

MONTAGE

- to the surface, using a properly selected screw
- to the lighting fixture, with hooks
- easy installation and deinstallation of lighting fixtures by snapping in and out

TECHNICAL DRAWING



TECHNICAL SPECIFICATIONS

| | | | |
|----------|----------|------------------|----------|
| Material | PP | Height | 10.47 mm |
| Color | ■ gray | Lifting capacity | 1.7 kg |
| Width | 19.76 mm | | |

RELATED PROFILES



45-16
B8504



MICRO-ALU
B1888



MICRO-PLUS
C2966



PDS-4-ALU
B1718



PDS-4-PLUS
C1263

Mounting bracket PL-PDM

Ref. 24041



PDS-O
B3777



REGULOR
B468+43