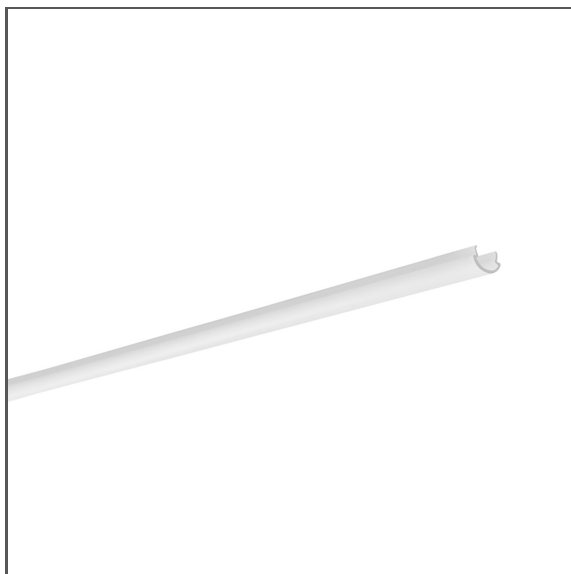


Cover LUK-10

Ref. 17164, 17088, 17090



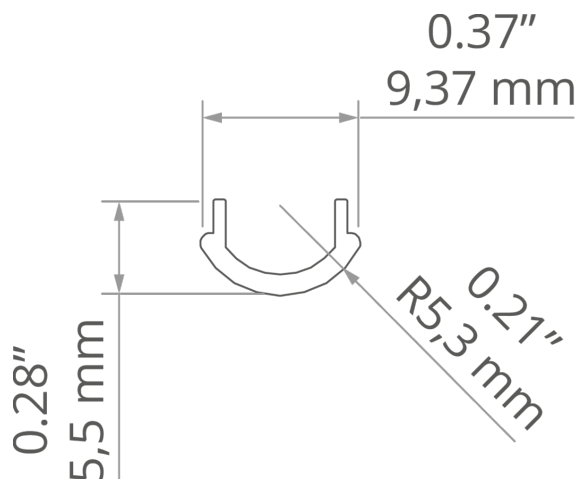
APPLICATION

- LED protection and light diffusion in lighting fixtures

MONTAGE

- to the profile, by pressing

TECHNICAL DRAWING



TECHNICAL SPECIFICATIONS

Material	PMMA	Color	Length	Light transmission	Possibility of obtaining a line of light	Ref
Shape	semicircular					
Maximum length on request	6000 mm		1000 mm			17164_1
Width	9 mm	<input type="checkbox"/> frosted	2000 mm	63	yes	17164_2
Possibility of bending	yes		3000 mm			17164_3
UV resistance	yes	<input checked="" type="checkbox"/> black	1000 mm			17088_1
			2000 mm	42	no	17088_2
			3000 mm			17088_3
			3000 mm			17090_3
			1000 mm			17090_1
		<input type="checkbox"/> semi-transparent	2000 mm	87	no	17090_2

Cover LUK-10

Ref. 17164, 17088, 17090

<input type="checkbox"/> Semi-transparent				
Color	Length	Light transmission	Possibility of obtaining a line of light	Ref

RELATED PROFILES



PIKO-O
C1167