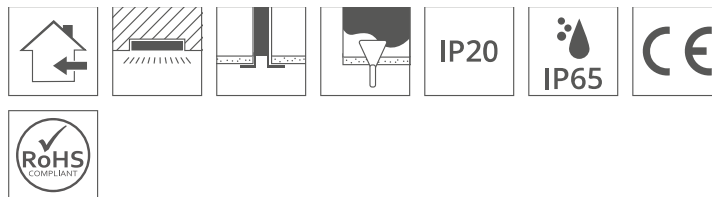
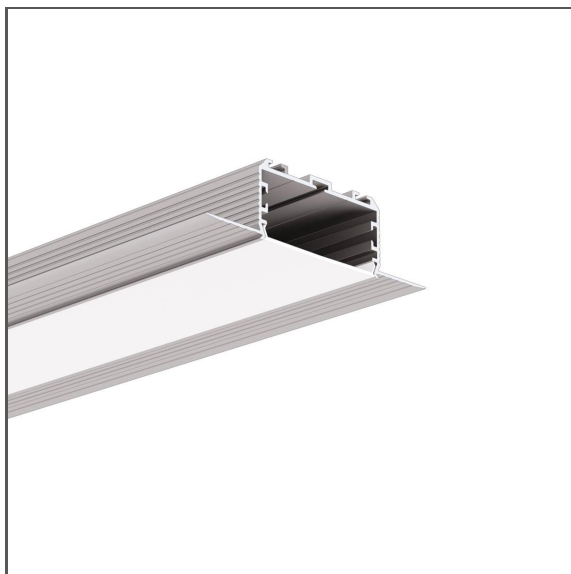


Profile KOZEL-50

Ref. C0757



- Mounting to drywall
- Line of light flush with the surface
- High lumen output
- Non visible aluminum elements

APPLICATION

- main and decorative lighting

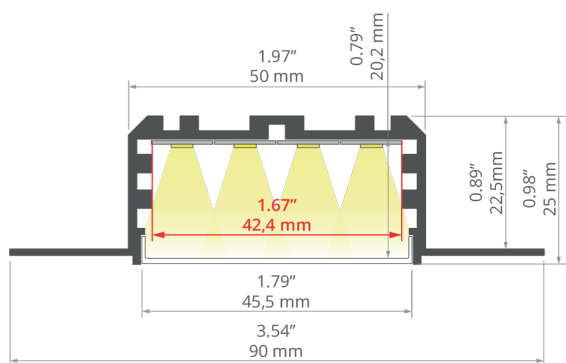
MONTAGE

- in drywall, with mounting adhesive
- can be easily connected into runs

ADDITIONAL INFORMATION

- in order to protect the lighting fixture during installation, a TECH-50 protective insert should be used

TECHNICAL DRAWING



TECHNICAL SPECIFICATIONS

Material	aluminum	Length	Ref
Color	■ silver non anodized	1000 mm	C0757NA_1
With the possibility of sealing up to IP	20, 65	2005 mm	C0757NA_2
Possible shapes of the luminaire	polygonal	3010 mm	C0757NA_3
LED gluing width A	42 mm		
Number of LED strips A (8 mm wide)	5		
Width	90 mm		
The cover is cut to the length of the profile	yes		
Can be easily connected into runs	yes		
Main lighting	yes		
Decorative lighting	yes		
Functional lighting	yes		

Profile KOZEL-50

Ref. C0757

Mounting to drywall	yes
To cover with plaster	yes
Wire out back of extrusion	yes

SAMPLE PROJECTS



COVERS

NAME	MATERIAL	MATERIAL TRANSMITTANCE	COLOR	REF.
LIGER-50	PC	70	<input type="checkbox"/> frosted	17086
		31	<input checked="" type="checkbox"/> black	17089

END CAPS

NAME	MATERIAL	COLOR	REF.
KOZEL-50	PP	<input checked="" type="checkbox"/> gray	24280

OTHER ACCESSORIES



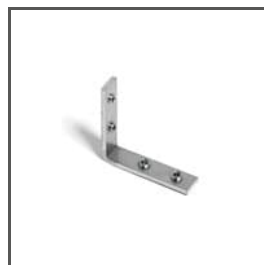
CONNECTOR
ZM-NA-90
42723



CONNECTOR
ZM-NA-135
42725



CONNECTOR
ZM-NA-PION-135
42727



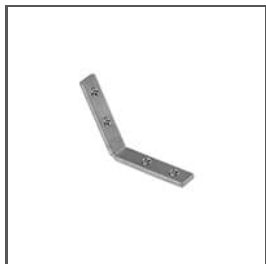
CONNECTOR
ZM-NA-PION-90
42726



CONNECTOR
ZM-NA-45
42339

Profile KOZEL-50

Ref. C0757



CONNECTOR
ZM-NA-PION-120
42321



CONNECTOR
ZM-NA-PION-60
42317



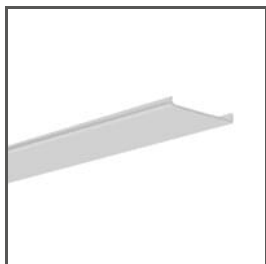
CONNECTOR
ZM-NA-PION-45
42315



CONNECTOR
ZM-NA-180
42724



GLAND
6,4x3
42264



PROTECTIVE INSERT
TECH-50
17125



MASKING COVER
MP-50
17172, 17172L9010,
17172L9005