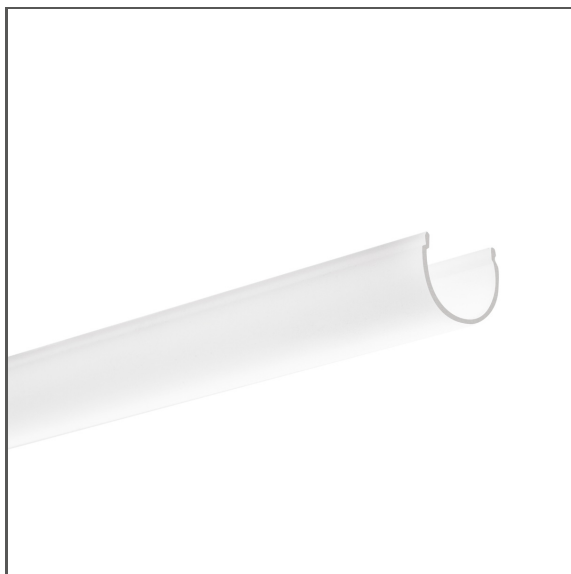


Cover G-L

Ref. 00413, 17010, 17006, 17008, 17012



APPLICATION

- LED protection and light diffusion in lighting fixtures

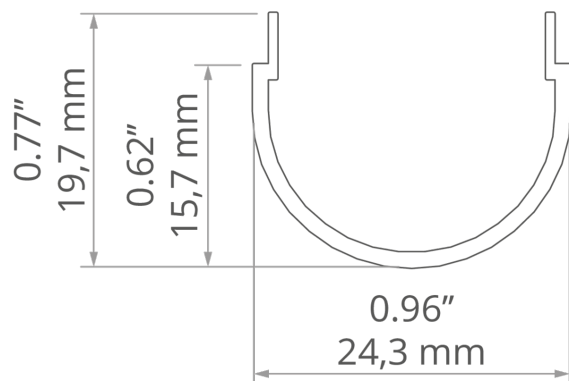
MONTAGE

- to the profile, by pressing

ADDITIONAL INFORMATION

- ATTENTION! rigid cover, not intended for bending or deformation

TECHNICAL DRAWING



TECHNICAL SPECIFICATIONS

Material	PMMA	Color	Length	Light transmission	Ref
Shape	semicircular		1000 mm		00413_1
Maximum length on request	6000 mm	<input type="checkbox"/> frosted	2000 mm	47	00413_2
Width	24 mm		3000 mm		00413_3
High mechanical resistance	yes		1000 mm		17010_1
UV resistance	yes	<input type="checkbox"/> frosted	2000 mm	69	17010_2
			3000 mm		17010_3
			1000 mm		17006_1
		<input checked="" type="checkbox"/> clear	2000 mm	95	17006_2
			3000 mm		17006_3
			1000 mm		17008_1
			2000 mm		17008_2
		<input type="checkbox"/> semi-transparent		85	

Cover G-L

Ref. 00413, 17010, 17006, 17008, 17012

Color	Length	Light transmission	Ref
	3000 mm		17008_3
	1000 mm		17012_1
■ black	2000 mm	30	17012_2
	3000 mm		17012_3

RELATED PROFILES



GIZA
B5556



GIZA-LL
C0758



GIZA-LL-T
C2479



GIZA-LL-UST
C2724



KOZEL
B6454



KOZUS
B7823



KOZUS-CR
C0600



LARKO
B5552



LIPOD
B5554



LOC-30
18015



LOKOM
B5553



OPAC-30
B6164