

Mounting bracket PDS-STN

Ref. 24190



- High mechanical and weather resistance

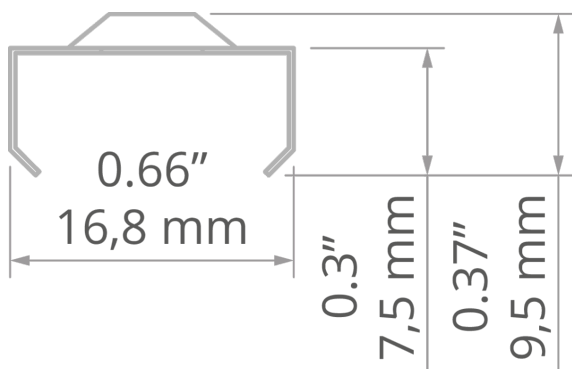
APPLICATION

- for mounting LED lighting fixtures

MONTAGE

- to the surface, using a properly selected screw
- to the lighting fixture, with hooks
- easy installation and deinstallation of lighting fixtures by snapping in and out

TECHNICAL DRAWING



TECHNICAL SPECIFICATIONS

Material	stainless steel	Height	9.5 mm
Color	■ silver	Lifting capacity	5 kg
Width	16.8 mm		

RELATED PROFILES



45-16
B8504



MICRO-ALU
B1888



MICRO-PLUS
C2966



PDS-4-ALU
B1718



PDS-4-PLUS
C1263

Mounting bracket PDS-STN

Ref. 24190



PDS-O
B3777



REGULATOR
B468+43



TAMI
B5390



TAPO
C1919