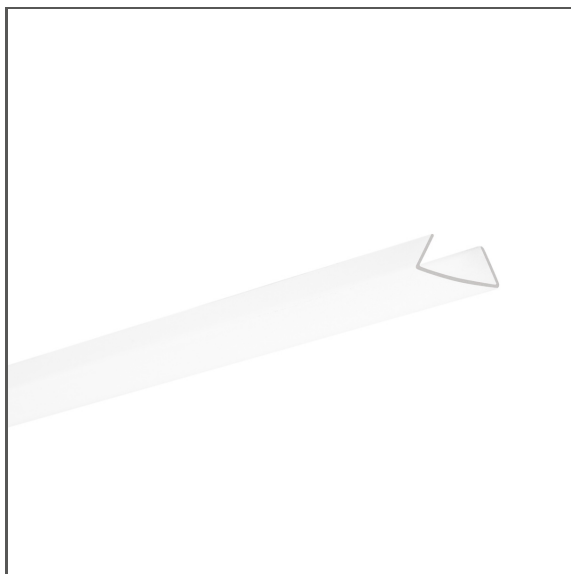


Cover FOLED

Ref. 17047, 17045



APPLICATION

- LED protection and light diffusion in lighting fixtures

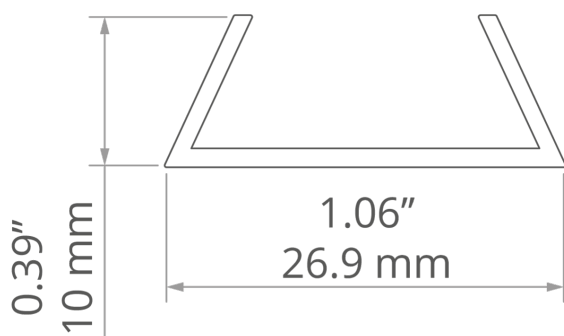
MONTAGE

- to the profile, by pressing

ADDITIONAL INFORMATION

- ATTENTION! rigid cover, not intended for bending or deformation

TECHNICAL DRAWING



TECHNICAL SPECIFICATIONS

Material	PMMA	Color	Length	Light transmission	Ref
Shape	flat (embedded in the fixture)		1000 mm		17047_1
Maximum length on request	6000 mm	<input type="checkbox"/> frosted	2000 mm	78	17047_2
Width	26.9 mm		3000 mm		17047_3
Possibility of obtaining a line of light	yes		1000 mm		17045_1
UV resistance	yes	<input checked="" type="checkbox"/> black	2000 mm	39	17045_2
			3000 mm		17045_3

Cover FOLED

Ref. 17047, 17045

RELATED PROFILES



FOLED
B8332V1



FOLED-BOK
B8334V1



FOLED-SUF
B8333V1